

Loop Collection

Steel Bike Racks for Compact Single or Multi-Bicycle Parking

Materials: **Mild Steel**

Our Loop Collection offers several creative solutions for bike parking needs. Loop bike racks range from 2 to 13 bike capacity and are fabricated with 2" schedule 40 pipe. Two mounting configurations are available: surface-mount or permanent embed. Loop bike racks' standard finishes are powder-coat over a corrosion resistant undercoat or hot-dip galvanizing.



- Multiple configurations available in sturdy 2" schedule 40 pipe
- Several multi-loop bike storage designs, can park up to 13 bicycles
- Choose from two mounting styles: surface or permanent embed
- Available with optional cast aluminum base covers

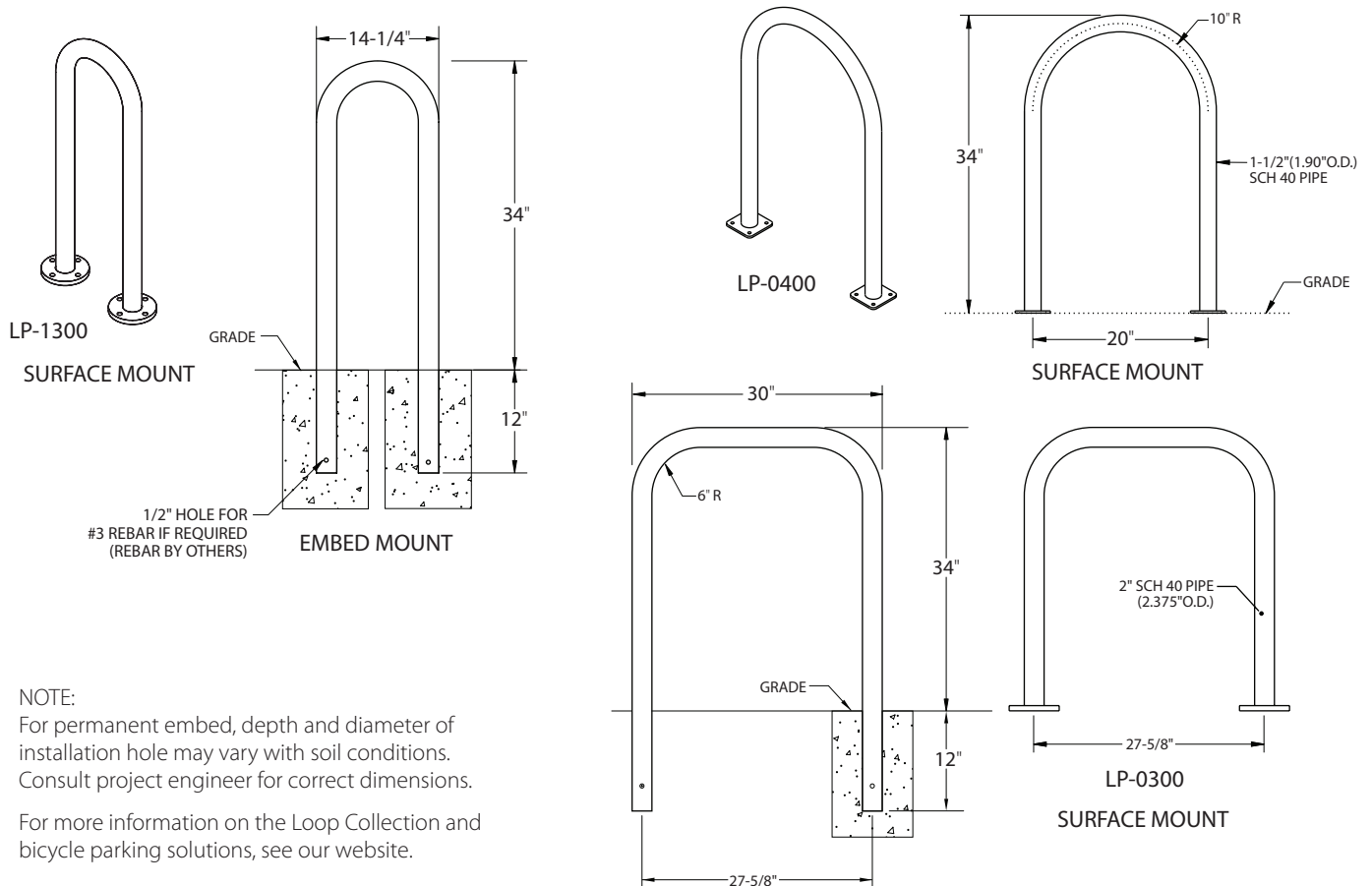


Loop Collection - Single Loop Bike Racks

Specifications

Part No.	Description	Size (Dia. W x H)	Mounting
LP-0300	34" Loop Bike Rack, Inverted U shape, Surface-mount, FW part no. BR-3	2" Sch. 40, 30" x 34"	Surface-mount
LP-0320	34" Loop Bike Rack, Inverted U shape, Embed, 12" below grade	2" Sch. 40, 30" x 34"	Permanent Embed
LP-0400	34" Loop Bike Rack, 1-1/2" Sch 40, Surface-mount, FW part no. BR-4	1-1/2" Sch. 40, 22" x 34"	Surface-mount
LP-0420	34" Loop Bike Rack, 1-1/2" Sch 40, Embed, 12" below grade	1-1/2" Sch. 40, 22" x 34"	Permanent Embed
LP-1300	36" Single-Loop Bike Rack, Surface-mount, FW part no. BR-1.3	2" Sch. 40, 14-1/2" x 36"	Surface-mount
LP-1320	36" Single-Loop Bike Rack, Embed, 12" below grade	2" Sch. 40, 14-1/2" x 36"	Permanent Embed

These single loop, 2 bicycle capacity racks work well where space is limited; 2" sch. 40 pipe versions are available with optional cast aluminum base covers.



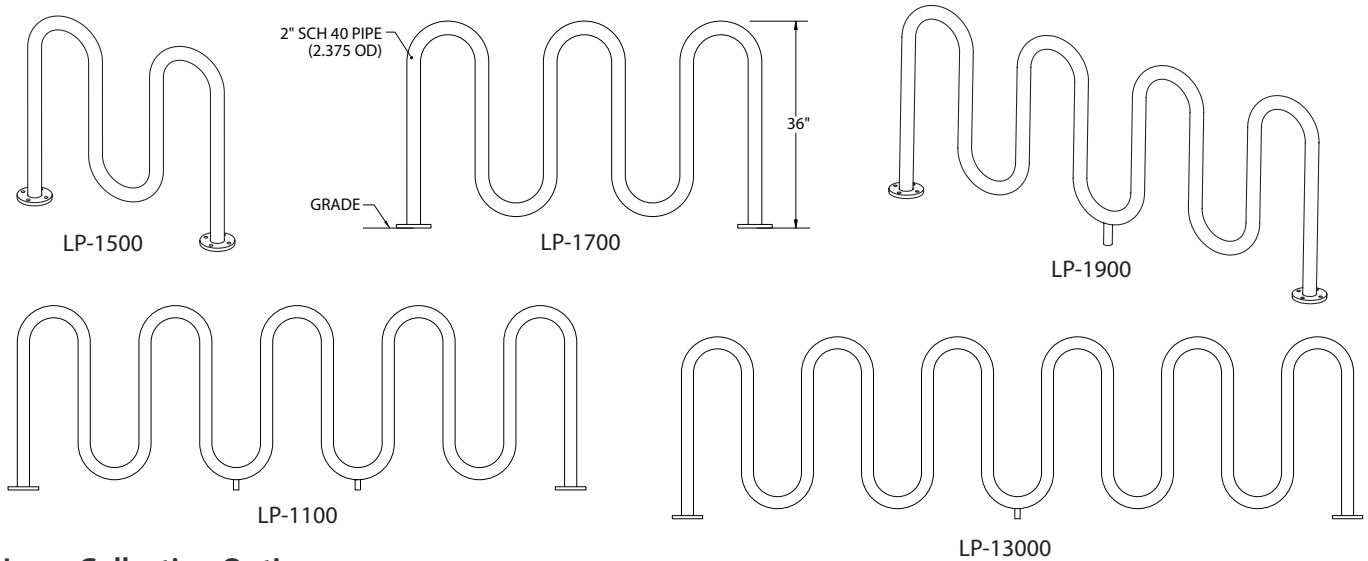
NOTE:
 For permanent embed, depth and diameter of installation hole may vary with soil conditions. Consult project engineer for correct dimensions.
 For more information on the Loop Collection and bicycle parking solutions, see our website.



Loop Collection - Multi-Loop Bike Racks

Specifications

Part No.	Description	Size (Dia. W x H)	Mounting
LP-1500	Three-Loop Rack - 38" w/ 5 Bike Capacity, Surface-mount, FW part# BR-1.5	2" Sch. 40 pipe, 38" x 36"	Surface-mount
LP-1520	Three-Loop Rack - 38" w/ 5 Bike Capacity, Embed, 12" below grade	2" Sch. 40, 38" x 36"	Permanent Embed
LP-1700	Five-Loop Rack - 62" w/ 7 Bike Capacity, Surface-mount, FW part# BR-1.7	2" Sch. 40, 62" x 36"	Surface-mount
LP-1720	Five-Loop Rack - 62" w/ 7 Bike Capacity, Embed, 12" below grade	2" Sch. 40, 62" x 36"	Permanent Embed
LP-1900	Seven-Loop Rack - 86" w/ 9 Bike Capacity, Surface-mount, FW part# BR-1.9	2" Sch. 40, 86" x 36"	Surface-mount
LP-1920	Seven-Loop Rack - 86" w/ 9 Bike Capacity, Embed, 12" below grade	2" Sch. 40, 86" x 36"	Permanent Embed
LP-1100	Nine-Loop Rack - 109" w/ 11 Bike Capacity, Surface-mount, FW BR-1.11	2" Sch. 40, 109" x 36"	Surface-mount
LP-1120	Nine-Loop Rack - 109" w/ 11 Bike Capacity, Embed, 12" below grade	2" Sch. 40, 109" x 36"	Permanent Embed
LP-13000	Eleven-Loop Rack - 133" w/ 13 Bike Capacity, Surface-mount, FW part# BR-1.13	2" Sch. 40, 133" x 36"	Surface-mount
LP-13020	Eleven-Loop Rack - 133" w/ 13 Bike Capacity, Embed, 12" below grade	2" Sch. 40, 133" x 36"	Permanent Embed



Loop Collection Options

Part No.	Description	Size (Dia. x H)	Mounting
LP-EBC	Loop Embed mount base cover (each) for 2" Sch. 40 pipe versions	8" x 2-5/16"	Permanent Embed
LP-SMBC	Loop Surface-mount base cover (each) for 2" Sch. 40 pipe versions	8" x 2-5/16"	Surface-mount

